

# FIVC Y-Strainer

Brass - PN 16 - ISO 228



FYS series

## Technical data

### Main features and materials

- Body and cap in: brass UNI EN 12165 CW617N
- Sandblast finishing
- EPDM gasket
- Stainless steel strainer

### Field of applications

- Maximum working temperature: 110 °C
- Maximum working pressure: 16 bar

## Description

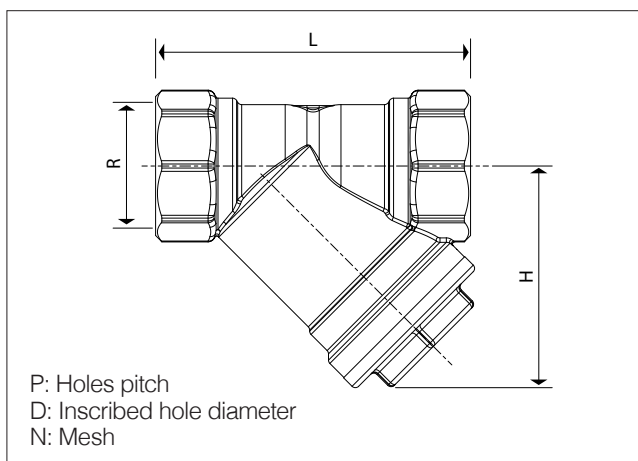
Inspectionable filter, suitable for distribution of non dangerous fluids (PED directive, group 2) and non aggressive fluids to the copper alloys.

It satisfies the requirements of PED 97/23/CE Directive, according to which, it is exempted from CE marking according to 3.3 paragraph.

## Product specifications

Inspectionable filter, with stainless steel strainer. Sandblast finishing. Body and cap in brass UNI EN 12165 CW617N. EPDM gasket. Maximum working temperature 110 °C. Maximum working pressure 16 bar.

## Dimensions



R [ISO 228]	L [mm]	H [mm]	P [mm]	D [µm]	N [mesh]
1/2"	52	34	1	500	32
3/4"	63	42			
1"	75	50			
1 1/4"	91	63			
1 1/2"	102	70			
2"	118	87			

## Product codes

Product code	Size
FYS015B1632	1/2"
FYS020B1632	3/4"
FYS025B1632	1"
FYS032B1632	1 1/4"
FYS040B1632	1 1/2"
FYS050B1632	2"

## Kv values

Size	Kv
1/2"	4,47
3/4"	7,85
1"	11,1
1-1/4"	17,0
1-1/2"	24,5
2"	36,0