

FIVC Check Valve

Brass - PN 16 - ISO 228



FCH series

Technical data

Main features and materials

- Max. working temperature: 100 °C
- Max. working pressure: 16 bar
- Open pressure: 0,05 bar
- UNI EN 12165 CW617N
- UNI EN 12165 CW614N
- Fiber

Description

FIVC Check valve, swing, metal-to-metal.

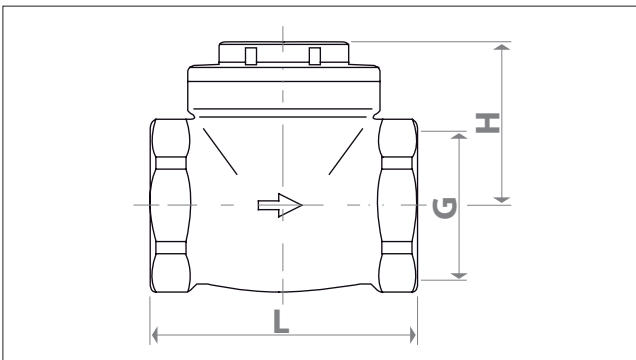
Installation

FIVC Check valves can be horizontally and vertically installed. We recommend to pay attention during the installation phase, above all for the small dimensions, avoiding forcing the pipe screwing and deforming the sealing seats.

Product specifications

Check valve, swing, metal-to-metal. Materials: UNI EN 12165 CW617N brass; UNI EN 12164 CW614N brass; fiber. Max. working temperature 100 °C. Max. working pressure 16 bar. Open pressure 0,05 bar

Dimensions



G [size]	H [mm]	L [mm]
1/2"	46	47
3/4"	51	53
1"	61	63
1 1/4"	73	74
1 1/2"	85	87
2"	94	97

Product codes and Kv values

Product code	Size	Kv
FCH015B16	1/2"	7
FCH020B16	3/4"	9
FCH025B16	1"	16
FCH032B16	1 1/4"	32
FCH040B16	1 1/2"	44
FCH050B16	2"	93