

FIVC Ball Valve

Full port ball valve. For plumbing systems.
Brass - PN 35 / 28 - ISO 228



FBA series

Technical data

Main features and materials

- Suitable for plumbing systems.
- Connections: F x F (ISO 228).
- Full port.
- UNI EN 12165 CW617N brass valve.
- Stem with double O-ring.
- Nut with anti-corrosion coating,
- Steel lever handle, with pvc anti-corrosion coating

Description

FIVC Ball valve with female-female connections.
For plumbing systems. Full port. Steel lever handle.

Installation

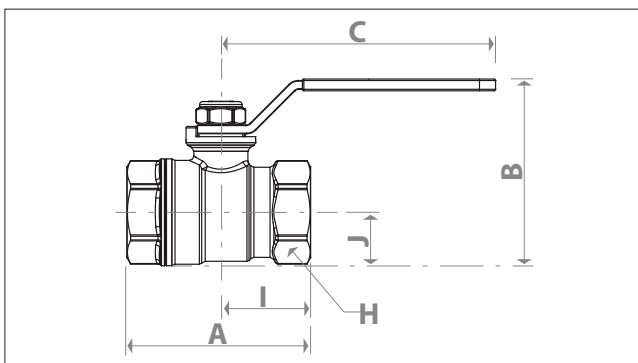
FIVC Ball valve can be horizontally and vertically installed.
We recommend to pay attention during the installation phase, above all for the small dimensions, avoiding forcing the pipe screwing and deforming the sealing seats.

Product specifications

FIVC Ball valve with female-female connections.
For plumbing systems. UNI EN 12165 CW617N brass.
Full port. Steel lever handle with PVC anti-corrosion coating. Stem with double O-ring.

Nut with anti-corrosion coating. Max. working pressure at 20 °C with water and not dangerous gas: 3,5 MPa (35 bar) for 1/2" - 3/4"; 2,8 MPa (28 bar) for 1" - 1 1/4" - 1 1/2" - 2". Minimum working temperature: -20 °C with 50 % glycol solutions. Max. working pressure at 20 °C with liquid hydrocarbon: 1,2 MPa (12 bar). Max. operating pressure (MOP) with gas: 0,5 MPa (5 bar). Max. working conditions with dry saturated steam: 185 °C with 1,05 MPa (10,5 bar).

Dimensions



Size	DN	A [mm]	I [mm]	B [mm]	J [mm]	C [mm]	H [mm]
1/2"	15	53	27	51	16	77	25
3/4"	20	60	30	67	20	95	31
1"	25	74	37	76	25	95	38
1 1/4"	32	84	42	85	29	95	47
1 1/2"	40	95	47	104	35	137	54
2"	50	109	54	120	43	137	66

Product codes

Product code	Size	Use	PN
FBA015B35	1/2"	Plumbing systems	35
FBA020B35	3/4"		

Product code	Size	Use	PN
FBA025B28	1"	Plumbing systems	28
FBA032B28	1 1/4"		
FBA040B28	1 1/2"		
FBA050B28	2"		

Kv values

Size	Kv
1/2"	12,7
3/4"	24,6

Size	Kv
1"	48,5
1 1/4"	98,0
1 1/2"	140
2"	211