

FIVC Triple Duty Valve

Ductile Iron – PN 25 – Straight – EN 1092-2



FTDVS series

Technical data

Main features and materials

- Body: Ductile Iron
- Bonnet: Ductile Iron
- Disc: Ductile Iron+EPDM
- Stem: Stainless Steel ASTM 410
- Handwheel: Grey Cast Iron
- USP: Three-in-one; Straight form
Functions as a silent check valve, regulating valve, and shut-off valve
Integrated positioning indicator

Field of applications

- Temperature range: -5 to 120 °C
- Max. working pressure: 25 bar

- Petrochemical industry
- Irrigation systems
- Mining and infrastructure industries
- Shipyard industry
- Compressed air
- Textile industry
- Mechanical industry
- Steam applications
- Other various industries

Description

FIVC Triple Duty Valves are designed in a straight form to control the pump in an open water supplying system or closed cycling system. The valve acts as a controller, non-return valve, and a shut-off valve. It can replace a balancing valve, butterfly valve, and a check valve, providing same efficiency.

In order to activate aforementioned functions, the valve has to be installed at the outlet of a pump or behind the rubber expansion joint. The valve works for water, oil, and gas.

The Triple Duty Valve ensures economical savings, as well as space savings due to its compact design.

Furthermore, the functionality of the valve prevents the water hammer phenomenon.

Declaration

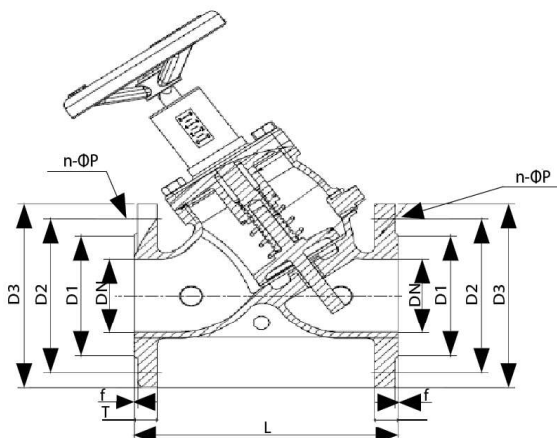
The model complies with the European PED Directive N° 97/23/EC, dated 25/02/2000, and is CE marked.

Alternative product versions

Other standards:

ANSI - ASME B1.20.1 - NPT
ISO 7/1 Rc/Rp threads

Dimensions



Product Information

Product code	Size (DN)	L*	D1*	D2*	D3*	T*	f*	n-ØP**
FTDVS065C25214	65	250	118	145	185	19	3	8-Ø19
FTDVS080C25214	80	254	132	160	200	19	3	8-Ø19
FTDVS100C25214	100	368	156	190	235	19	3	8-Ø23
FTDVS125C25214	125	407	184	220	270	19	3	8-Ø28
FTDVS150C25214	150	457	211	250	300	20	3	8-Ø28
FTDVS200C25214	200	546	274	310	360	22	3	12-Ø28
FTDVS250C25214	250	648	330	370	425	24.5	3	12-Ø31
FTDVS300C25214	300	762	389	430	485	27.5	4	16-Ø31

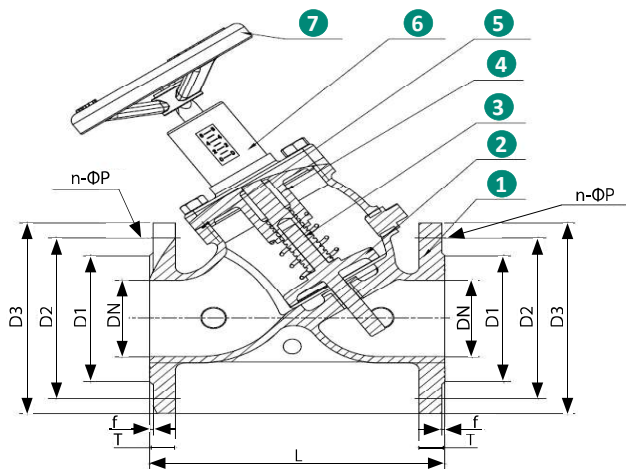
*Dimensions are in millimeters

**n-ØP; n: number of holes - ØP: diameter of hole (mm)

FIVC Triple Duty Valve

Ductile Iron – PN 25 – Straight – EN 1092-2

Dimensions



Product Specification

N°	Name	Material
1	Body	Cast Iron EN-GJL-250
2	Bonnet	Cast Iron EN-GJL-250
3	Stem	Stainless Steel ASTM 410
4	Disc	Ductile Iron + EPDM
5	Gasket	EPDM
6	Spring	Stainless Steel BS 970 304S15
7	Handwheel	Grey Cast Iron

Flowrate versus Pressure Drop

